

# USER MANUAL



Thank you for choosing Better Bathrooms.  
Please read this manual before installing your product  
and keep for future reference.

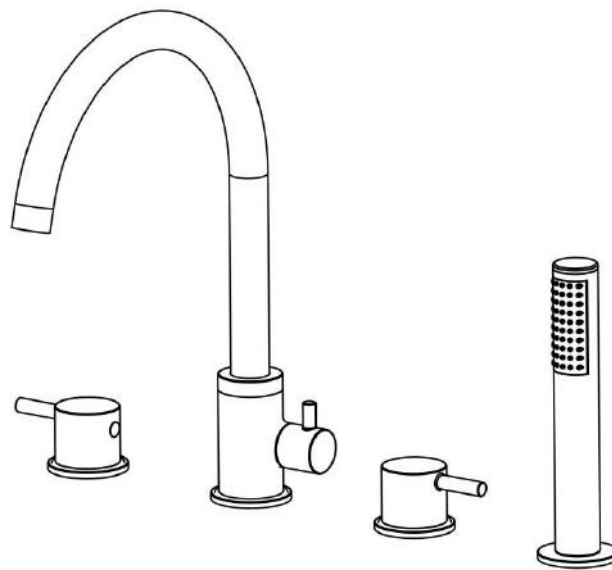
**better**   
**bathrooms**

## Product

ARIMB008 - Arissa Matt Black Deck Mounted Shower Mixer Tap - 4 Tap Hole

ARIBB008 - Arissa Brushed Brass Deck Mounted Shower Mixer Tap - 4 Tap Hole

ARICH006 - Arissa Chrome Deck Mounted Shower Mixer Tap - 4 Tap Hole



- **Single-person assembly**
- **Tools required**
- **We always recommend using professional tradespeople to install your product**

V2\_4/9/2022

# Congratulations on your purchase

*And welcome to our growing gang of savvy shoppers*

We're on a mission to bring you extraordinary bathroom products, for less. From modern to traditional style ceramics, plus the gorgeous fixtures, fittings and furniture to match. So, you can fall in love with your space every single day.

As one of the UK's largest independent bathroom stores, we've received countless awards; including the National Business Awards UK, the Digital Entrepreneur Awards and being placed on The Sunday Times Fast Track 100.

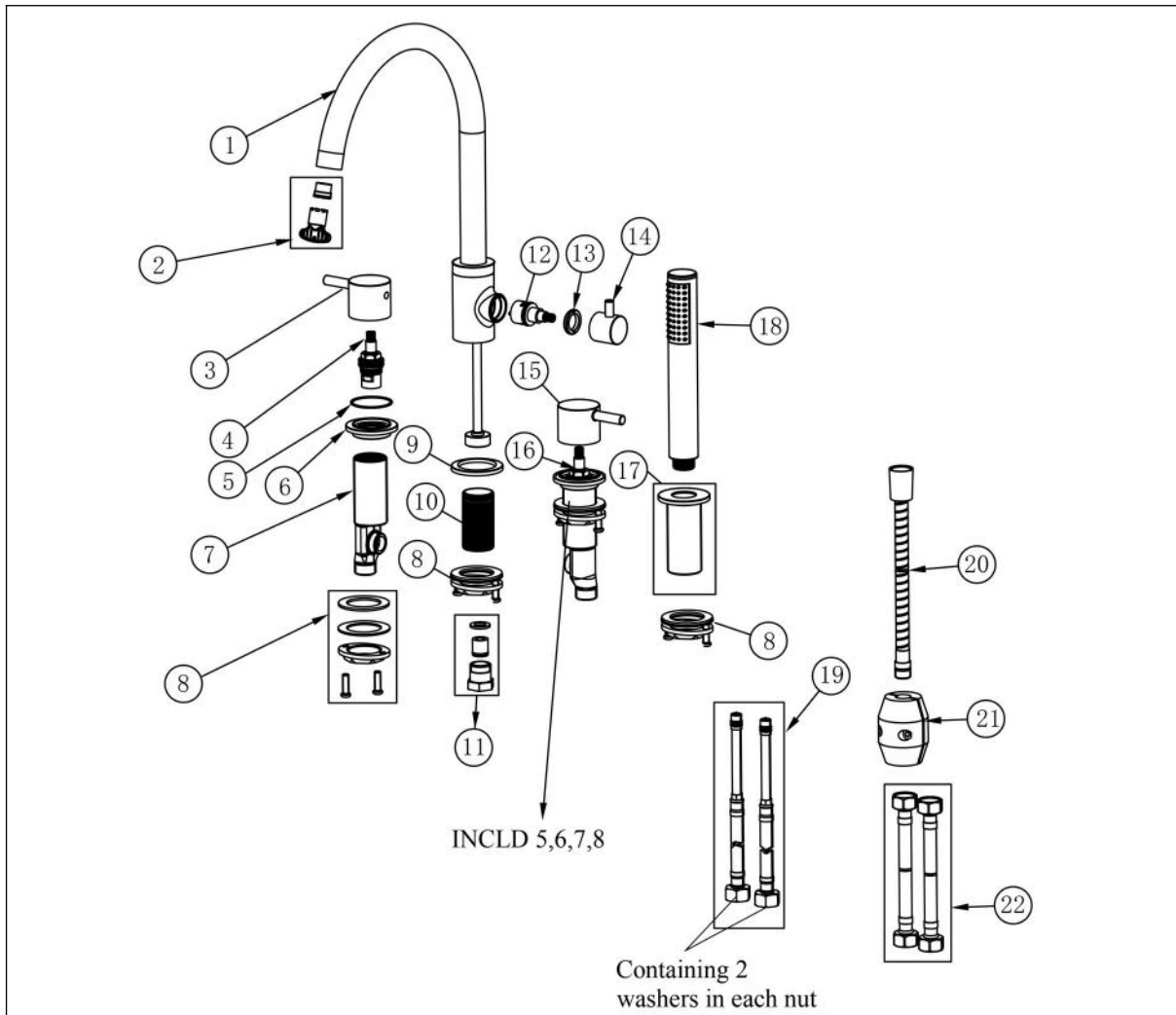
We hope your new product goes above and beyond your expectations. However, should any problems occur, please:

- log in to your account and contact our customer services team via your self-serve portal – [betterbathrooms.com/Account/Login](https://betterbathrooms.com/Account/Login)
- contact us via [betterbathrooms.com/contact-us](https://betterbathrooms.com/contact-us)

## Important information

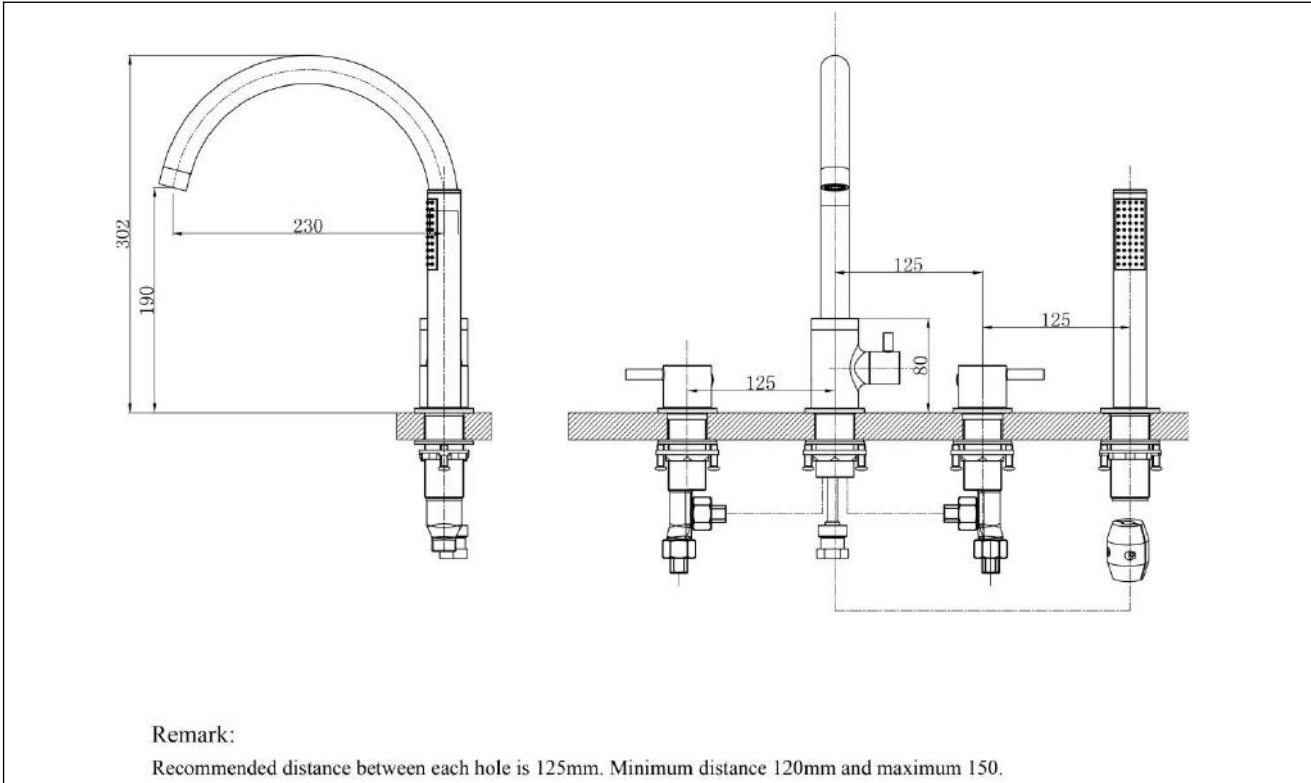
- Please read these instructions thoroughly and retain for future reference
- Installation must be carried out in compliance with The Water Fittings Regulations and Scottish Water Byelaws.
- The system must be flushed prior to installation
- Minimum and Maximum working pressure : 1 - 5 bar
- Pressures must be equal for optimum performance
- Please do not connect hot and cold water supply lines in reverse. This could result in hot water flowing from cold line and cause scalding.
- The feed-water temperature of water shall not exceed 85°C. Exceeding 85° may cause scalding, the service life of faucets might be shortened, or the faucet might be damaged.
- After installation, please make sure the faucet is securely mounted and checked for leaks.

# Parts / Diagrams



No	Description	No	Description
1	Spout assembled	12	Switching device
2	Aerator with key	13	Locknut
3	Handle Hot	14	Switching handle
4	Headwork Hot	15	Handle Cold
5	O-ring	16	Headwork Cold
6	Base assembled	17	Shower holder assembled
7	Body	18	Hand shower
8	Fixing kit	19	Connecting hoses(to connect spout body and hot& cold valves)
9	Base assembled for spout	20	Shower hose
10	Leg	21	Weight
11	Connector with Non-return valve assembled	22	Connecting hoses(to connect hot&cold valves with isolation valves)

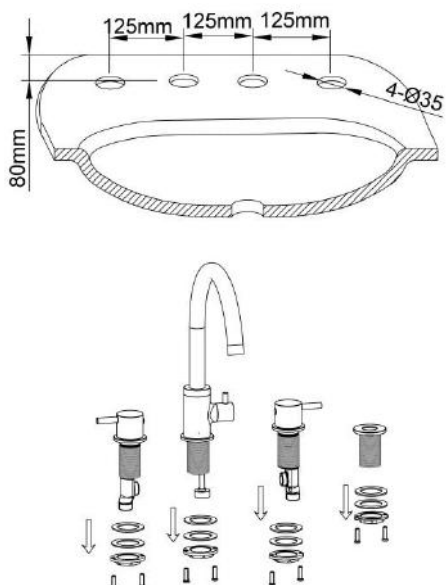
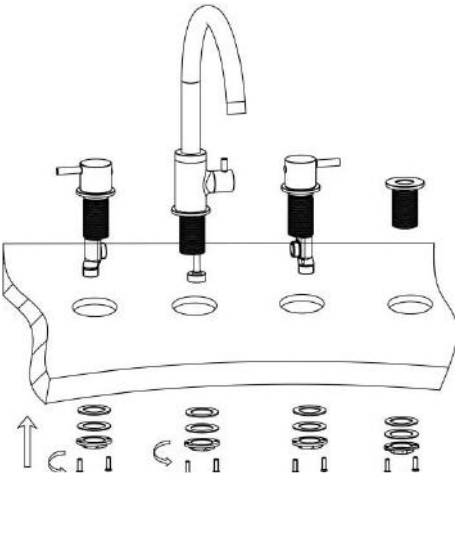
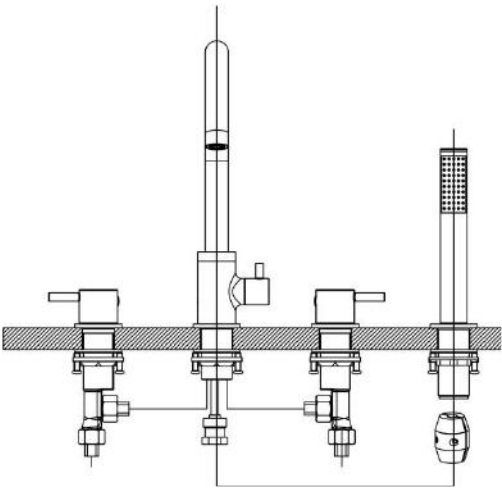
# Dimensions



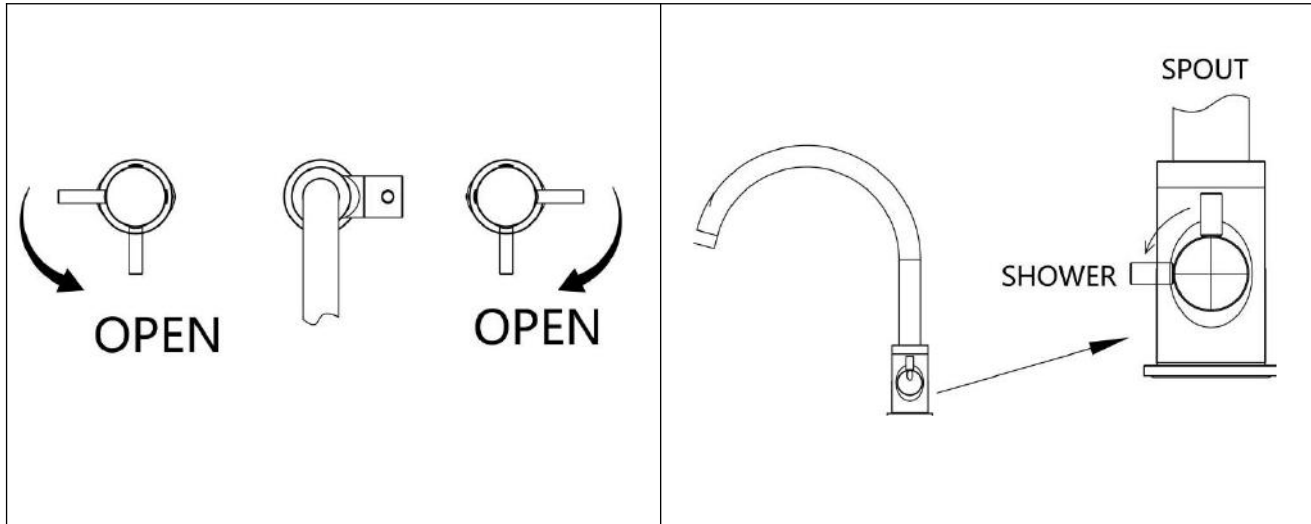
# Tools required

- Spanner
- Screwdriver

# Installation

	<p>Remove the Screws, Locknuts, Metal Gaskets, and Rubber Gaskets from the Legs of each body.</p> <p>Drill 4 holes referring to the reference drawing at the left. Recommended distance between each hole is 125mm.</p>
	<p>From above, push the legs through holes on bathtub.</p> <p>From underneath the bathtub, secure the bodies mixer by fixing the Rubber Gaskets, Metal Gaskets, and Locknuts onto the legs, and finally fasten the Locknuts and Screws by wrench and screwdriver.</p>
	<p>Connect the hot valve and cold valve with the isolation valves(not included) by connecting hoses, hot on the left, cold on the right.</p> <p>Loosen the screw on the weight by screwdriver, and install it with the shower hose and tighten the screw. Connect the shower hose with the spout body and pull it out from the holder, and finally install the shower hose with handshower.</p> <p>Make sure the rubber washers are in the nuts of the hoses.</p> <p>Turn on water supply and check for leaks.</p>

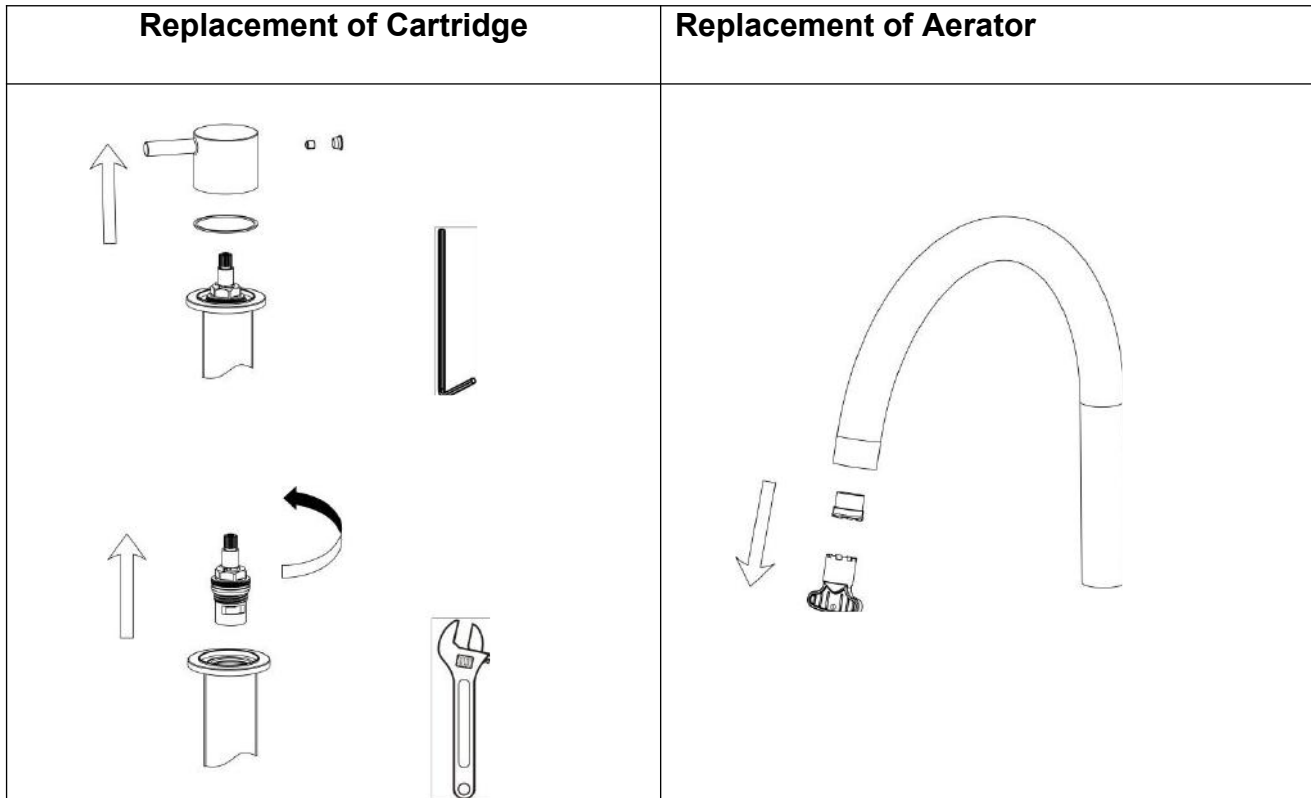
# Operation



# Troubleshooting

Issues	Inspection Item
Poor water flow	<ul style="list-style-type: none"> <li>• Is there blockage within the filter mesh on aerator(2)</li> <li>• Was the system flushed prior to installation</li> <li>• Is there debris inside the non-return valve(11)</li> </ul>
Water leak	<ul style="list-style-type: none"> <li>• Is there damage or dirt within the O-rings of the headwork(4&amp;16)</li> <li>• Is the headwork(4&amp;16) fully tighten</li> <li>• Is there damage or dirt with the O-ring in th aerator(2)</li> <li>• Is the locknut(13)fully tighten</li> <li>• Is there damage with the O-ring(5)</li> <li>• Is there damage with the O-rings under the base(6,9)</li> <li>• Is there damage within the rubber washers and inside the nuts of hoses(19,22,20)</li> <li>• Is there damage with the O-rings on the hoses(19,20)</li> <li>• Is there damage within the rubber washer or O-ring on the non-return valve(11)</li> </ul>
Handle loose	<ul style="list-style-type: none"> <li>• Is the screw inside the handles(3,15,14) fully tightened</li> <li>• Is the locknut(13) tightened</li> </ul>
Body loose	<ul style="list-style-type: none"> <li>• Is the fixing kit(8) underneath fully tightened</li> </ul>

# Maintenance



# Cleaning

To maintain the surface of your product, wipe with a clean damp cloth and wipe dry, do not use any abrasive cleaning agents or materials. If any harsh chemicals come into contact with the surface of the product, rinse and wipe clean immediately.

## **For more information**

- visit [betterbathrooms.com](http://betterbathrooms.com)
- email [customerservices@buyitdirect.co.uk](mailto:customerservices@buyitdirect.co.uk)
- call 03303903062
- write to Trident Business Park, Neptune Way, Huddersfield, HD2 1UA

**better  
bathrooms**

Part of the BuyItDirect Group